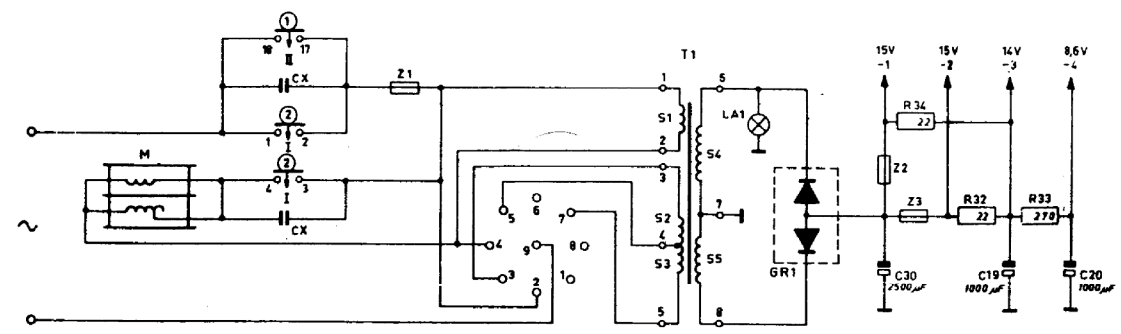
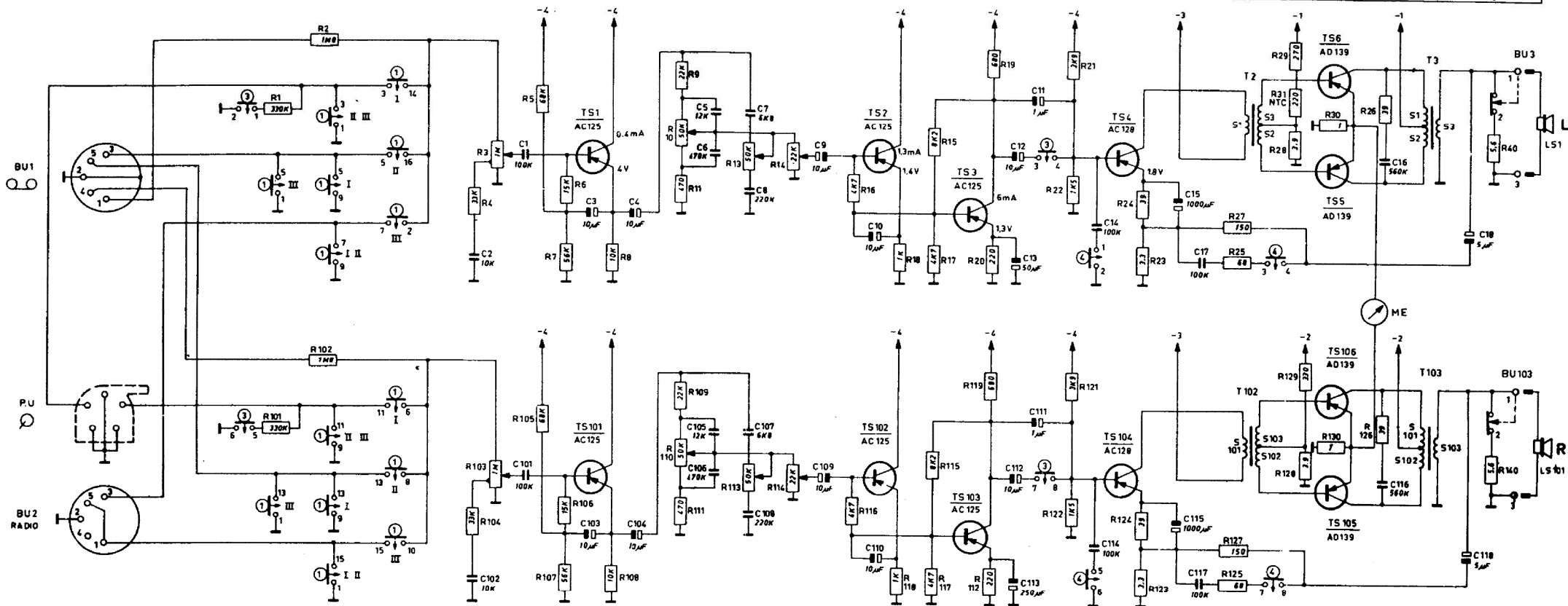


A	1	2	4	3	5	6	7	8	9	10	11	13	14	16	18	15	17	19	20	21	22	23	24	27	25	29	31	28	30	26	40			
B	101	102	104	103	105	106	107	108	109	110	111	34	32	113	33	114	116	118	115	117	119	120	121	122	123	124	127	125	129	126	130	128	140	
C			2	1	3	4			5	6	7	8	9	10						12	13	11	14	15	17	127	125	129	126	130	128	140		
D			102	101	103	30	104		18	105	106	107	108	20	109					112	113	111	116	115	117									
E																																		



- ① = SK1 RADIO
  - ② = SK2 MAINS SWITCH
  - ③ = SK3 RUMBLE
  - ④ = SK4 SCRATCH
- I = RADIO  
 II = MAINS SWITCH  
 III = RUMBLE

SK1		
RADIO	SK1	RADIO
1-15	1-3	1-3
3-14	1-15	1-5
5-9	5-16	1-13
6-11	7-9	2-7
7-9	8-13	9-11
9-13	9-11	10-15
17-18		

